

Power Controller to 30A HK Series



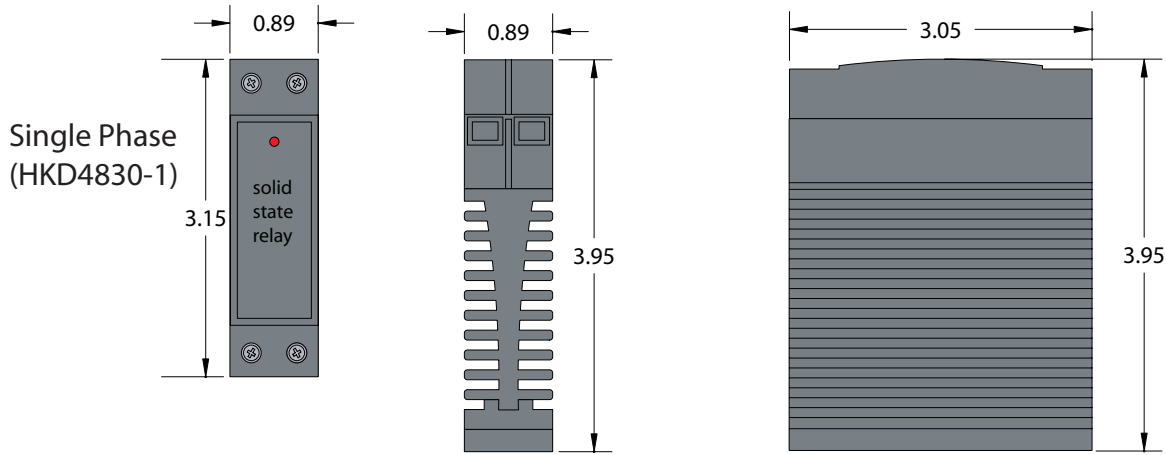
FEATURES:

- Solid State Relay Assemblies rated to 30A/pole @ 40°C (100% duty cycle)
- Relays approved to the following: UL, CSA, AND CE
- LED input status indicator standard
- Zero cross switching standard
- Ground terminal included
- Strip Wire Connections
- Intergrated Heatsinks
- Finger-safe Terminals

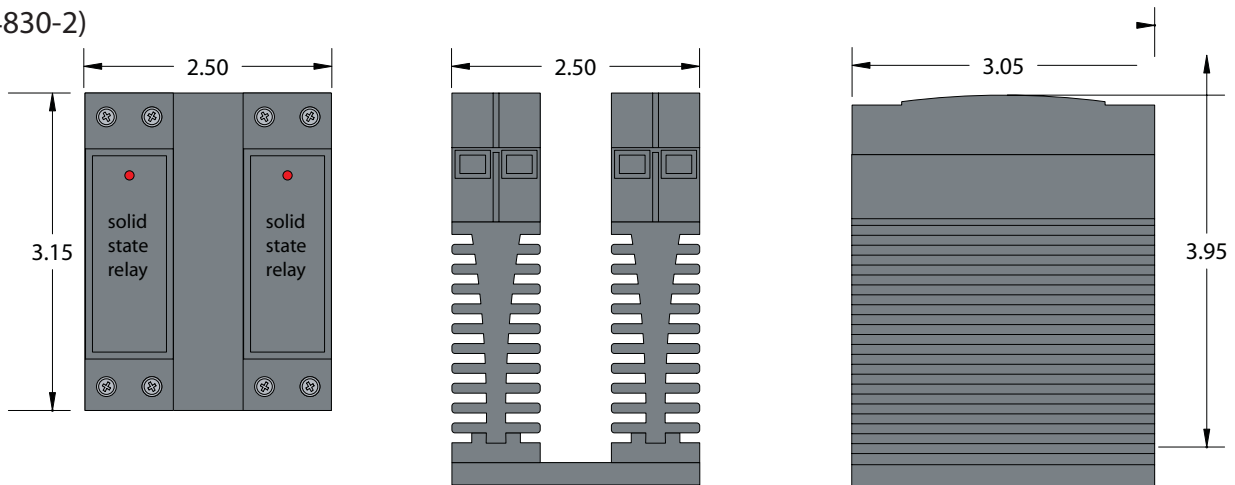
OUTPUT SPECIFICATIONS	AC			DC		
	HKA4830-1	HKA4830-2	HKA4830-3	HKD4830-1	HKD4830-2	HKD4830-3
	Single Phase	3 Phase / 2 Pole	3 Phase / 3 Pole	Single Phase	3 Phase / 2 Pole	3 Phase / 3 Pole
Operating Voltage (47-63 Hz) [Vrms]	48-530	48-530	48-530	48-530	48-530	48-530
Load Current Range [Arms]	.15-30	.15-30/pole	.15-30/pole	.15-30	.15-30/pole	.15-30/pole
Transient Overvoltage [Vpk]	1200	1200	1200	1200	1200	1200
Max. Surge Current, (16.6ms) (Apk)	625	625	625	625	625	625
Max. On-State Voltage Drop [Vpk]	1.6	1.6	1.6	1.6	1.6	1.6
Max. Turn-on Time	10.0mS	10.0mS	10.0mS	1/2 cycle	1/2 cycle	1/2 cycle
Max. Turn-off Time	40.0mS	40.0mS	40.0mS	1/2 cycle	1/2 cycle	1/2 cycle
Max. I ² t for fusing (8.3mS)	1620	1620	1620	1620	1620	1620
Max. Off-State Leakage Current	10	10	10	10	10	10
Power Factor (Min.) with Max. Load	0.5	0.5	0.5	0.5	0.5	0.5
INPUT SPECIFICATIONS						
Control Voltage Range	90-280Vrms			4.5-32Vdc		
Max. Turn-on Voltage	90Vrms			4.5Vdc		
Min. Turn-off Voltage	10Vrms			1.0Vdc		
Typical Input Current	2mA @ 120Vrms, 4 mA @ 240Vrms			15mA @ 12Vdc, 20mA @ 24Vdc		

OPTIONS:

- 10 Random turn-on
- WH Wiring harness for multi-pole configurations
- E 24VAC Control (AC input only)
- P Internal transient voltage suppression



Three Phase / 2 Pole
(HKD4830-2)



Three Phase / 3 Pole
(HKD4830-3)

