



# Time Proportioning Power Control to 100A F Series TP



## FEATURES:

- Command input accepts 4-20mA, 0-10V, 0-5V, 0-135Ω, Potentiometer
- Configurable for 4 different cycle times
- Drives multiple solid state relays (SSRs)
- LED output indicator
- Adjustable Power Limit (-PL) Option
- Single phase and three phase control
- Solid State Relay Assemblies rated to 100A/Pole @ 40°C (100% duty cycle)
- Suitable for inductive loads (w -10 option)
- Standard relays approved to the following: UL CE, CSA & VDE

OUTPUT SPECIFICATIONS	TP-90DF2	TP-90DF3	TP-125DF2	TP-125DF3
FAN OPTION (Add letter of Fan to end of above part #) (EX: TP-125AF2B - Denotes 3 Phase, 2 Pole, w/120VAC Fan)	B-120VAC Fan		C - 240VAC Fan	I - 24VDC Fan
	3 Phase / 2 Pole	3 Phase / 3 Pole	3 Phase / 2 Pole	3 Phase / 3 Pole
Operating Voltage (47-63 Hz) [Vrms]	48-530	48-530	48-530	48-530
Load Current Range [Arms]	.04-80	.04-80	.04-100	.04-100
Transient Overvoltage [Vpk]	1200	1200	1200	1200
Max. Surge Current, (16.6ms) [Apk]	1200	1200	1750	1750
Max. On-State Voltage Drop [Vpk]	1.7	1.7	1.7	1.7
Max. Turn-on Time	1/2 cycle	1/2 cycle	1/2 cycle	1/2 cycle
Max. Turn-off Time	1/2 cycle	1/2 cycle	1/2 cycle	1/2 cycle
Max. I <sup>2</sup> t for fusing (8.3mS)	12700	12700	12700	12700
Max. Off-State Leakage Current [mArms]	10	10	10	10
Power Factor (Min.) with Max. Load	0.5	0.5	0.5	0.5

## INPUT SPECIFICATIONS:

0-10VDC  
 0-5VDC  
 2-10VDC  
 1-5VDC  
 4-20mA  
 0-20mA  
 Potentiometer  
 0-135Ω (TP135-90DF2B)

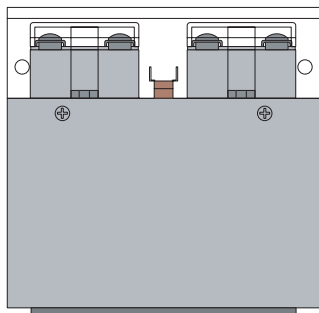
## OPTIONS:

- 10 Random turn-on
- WH Wiring harness for multi-pole configurations
- M MOV - External ransient voltage suppression
- P Internal transient voltage suppression
- D DIN Clip
- CT Current Transducer

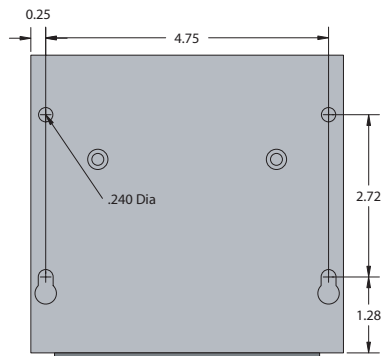
## ACCESSORIES

- PS-120 120V to 24V AC power supply (1.5VA)
- PS-240 240V to 24V AC power supply (1.5VA)
- PS-480 480V to 24V AC power supply (1.5VA)

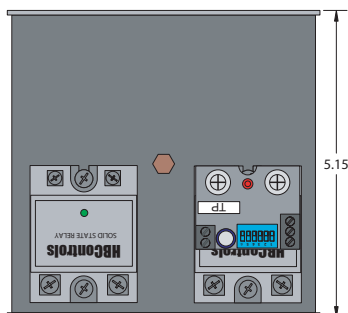
# Time Proportioning Power Control to 100A F Series TP



FRONT

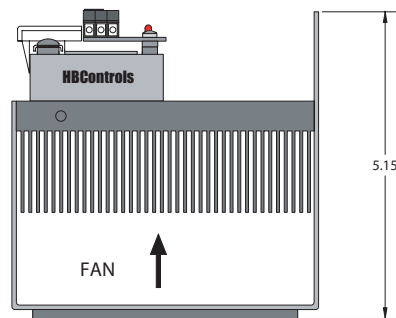


REAR

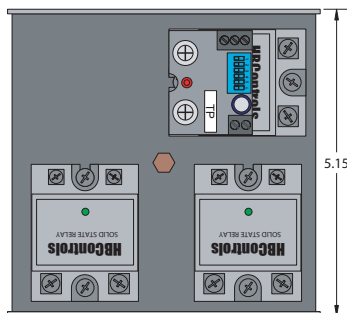


TOP

3 Phase /  
2 Pole  
Ex: TP-90DF2B

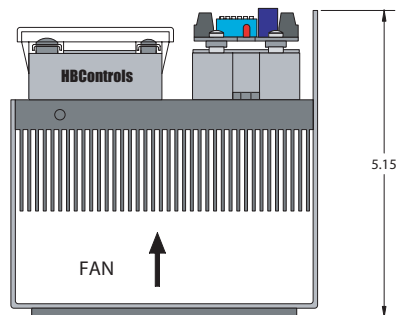


SIDE



TOP

3 Phase /  
3 Pole  
Ex: TP-90DF3B



SIDE