

Time Proportioning Power Controller to 50A L Series TP



FEATURES:

- Command input accepts 4-20mA, 0-10V, 0-5V, 0-135 Ω Potentiometer
- Configurable for 4 different cycle times
- Drives multiple solid state relays (SSRs)
- LED output indicator
- Adjustable Power Limit (-PL) Option
- Single phase and three phase control
- Solid State Relay Assemblies Rated to 50A/Pole @ 40° C (100% duty cycle)
- Suitable w/inductive loads (w-10 option)
- Relays approved to the following:
UL, CSA, VDE & CE

OUTPUT SPECIFICATIONS		
	TP-90HDL	TP-690HDL
Operating Voltage (47-63 Hz) [Vrms]	48-530	48-660
Load Current Range [Arms]	.04-50	.04-50
Transient Overvoltage [Vpk]	1200	1200
Max. Surge Current, (16.6ms) [Apk]	1200	1200
Max. On-State Voltage Drop [Vpk]	1.7	1.7
Max. Turn-on Time	1/2 cycle	1/2 cycle
Max. Turn-off Time	1/2 cycle	1/2 cycle
Max. I ² t for fusing (8.3mS)	6000	6000
Max. Off-State Leakage Current [mArms]	10	5
Power Factor (Min.) with Max. Load	0.5	0.5

INPUT SPECIFICATIONS

0-10VDC
0-5VDC
2-10VDC
1-5VDC
4-20mA
0-20mA
Potentiometer
0-135 Ω (TP135-90HDL)

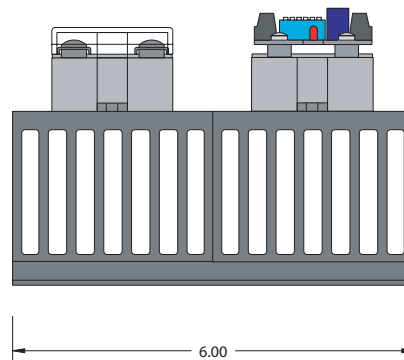
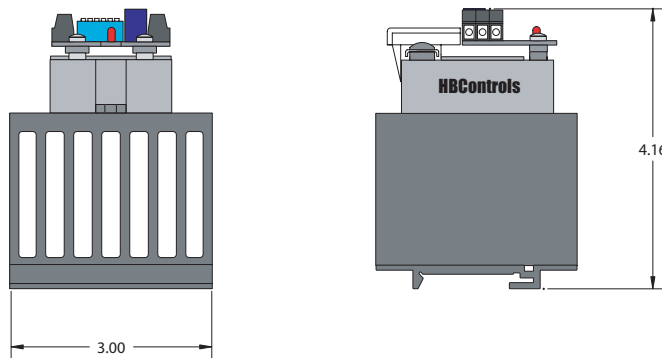
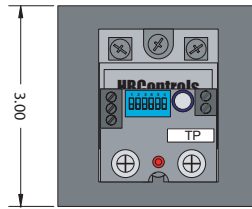
OPTIONS:

-10 Random turn-on
-2 3 Phase / 2 Pole configuration
-3 3 Phase / 3 Pole configuration
-WH Wiring harness for multi-pole configurations
-M MOV - Transient voltage suppression
-P Internal transient voltage suppression
-TP Through panel-mount
-PM Panel Mount
-ND No DIN Clip
-CT Current Transducer

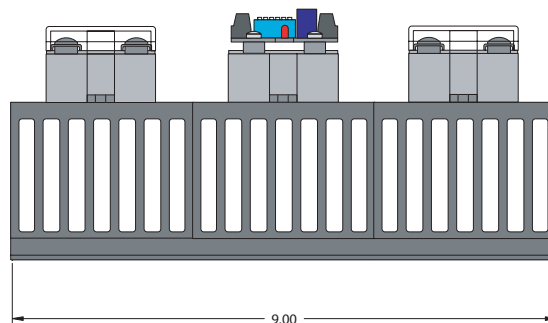
ACCESSORIES

PS-120 120V to 24V AC power supply (1.5VA)
PS-240 240V to 24V AC power supply (1.5VA)
PS-480 480V to 24V AC power supply (1.5VA)

Time Proportioning Power Controller to 50A L Series TP



**3 Phase/
2 Pole
(-2 Option)**



**3 Phase/
3 Pole
(-3 Option)**