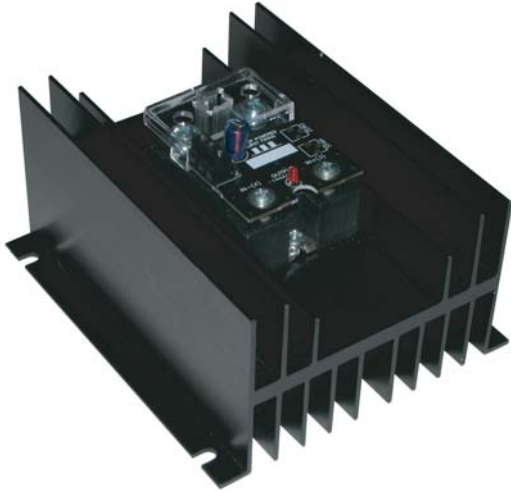




Time Proportioning Loop Power Control to 80A N Series TPLP



FEATURES:

- Provides precise time proportioned 0-100% output
- Loop powered - no external power supply required
- 4 to 20mA command signal input
- Drops only 6.3 Volts of total loop voltage
- Drives multiple Solid State Relays (SSRs)
- On board LED Indication
- Solid State Relay Assemblies rated to 80A/Pole @ 40°C (100% duty cycle)
- Suitable for inductive loads (w -10 option)
- Standard relays approved to the following: UL CE, CSA & VDE

OUTPUT SPECIFICATIONS	TPLP-50DN	TPLP-50HDN	TPLP-90HDN	TPLP-125HDN
Operating Voltage (47-63 Hz) [Vrms]	24-280	48-530	48-530	48-530
Load Current Range [Arms]	.04-45	.04-45	.04-70	.04-80
Transient Overvoltage [Vpk]	600	1200	1200	1200
Max. Surge Current, (16.6ms) [Apk]	625	625	1200	1750
Max. On-State Voltage Drop [Vpk]	1.6	1.7	1.7	1.7
Max. Turn-on Time	1/2 cycle	1/2 cycle	1/2 cycle	1/2 cycle
Max. Turn-off Time	1/2 cycle	1/2 cycle	1/2 cycle	1/2 cycle
Max. I ² t for fusing (8.3mS) [A ² sec]	1620	1620	6000	12,700
Max. Off-State Leakage Current [mArms]	10	10	10	10
Power Factor (Min.) with Max. Load	0.5	0.5	0.5	0.5

INPUT SPECIFICATIONS

4-20mA

INPUT Option:

Zero and Span Pots

(Change Prefix to: TPLPZ-)

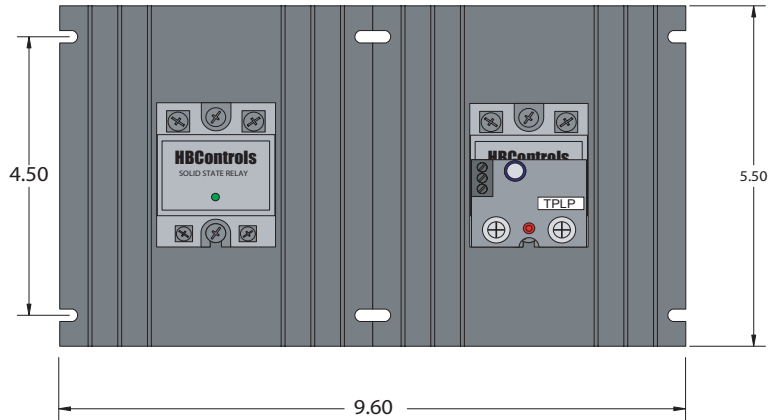
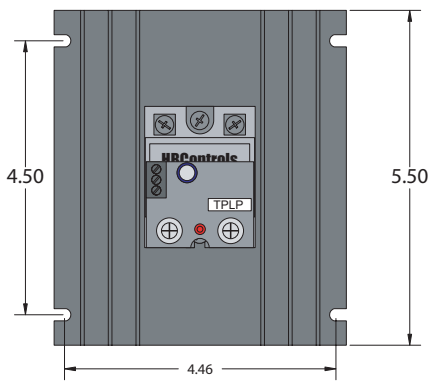
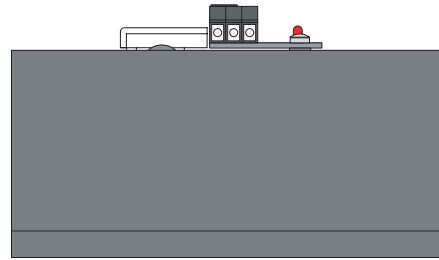
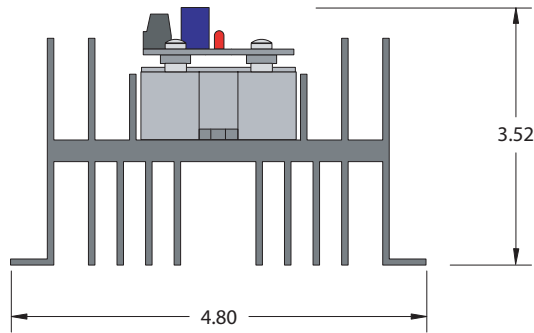
Ex.: TPLP-90DF2B = TPLPZ-90DF2B

OPTIONS:

- 10 Random turn-on
- 2 3 Phase / 2 Pole configuration
- WH Wiring harness for multi-pole configurations
- M MOV - External transient voltage suppression
- P Internal transient voltage suppression
- TP Through panel-mount
- D DIN Mount
- CT Current Transducer



Time Proportioning Loop Power Control to 80A N Series TPLP



DIN Option:

**3 Phase/
2 Pole
(-2 Option)**

